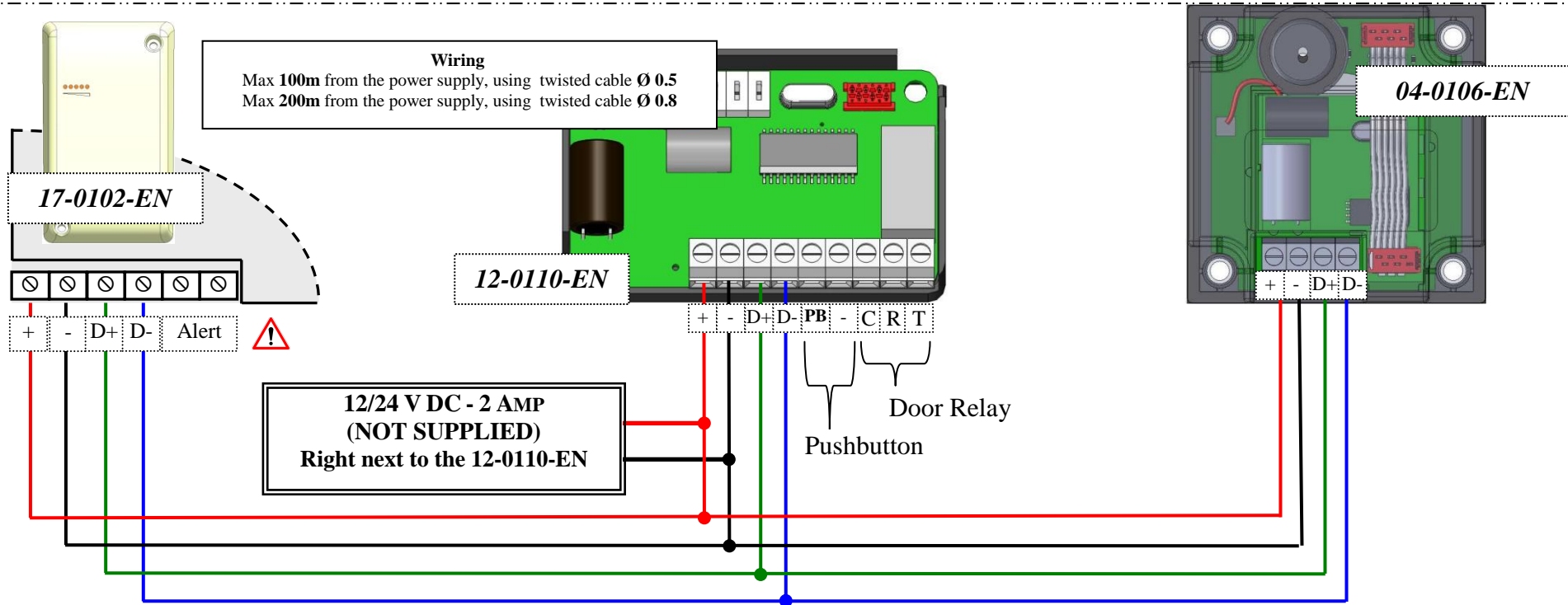


WIRING DIAGRAM



- **NEVER PLACE THE 17-0102-EN MODULE IN A METAL CASE!**
- ⚠: **Alert and door opening are not possible at the same time without adding another 12-0110-EN card.**
- The LEDs on the 17-0102-EN module indicate the surrounding GPRS network reception quality: the more LEDs you have lit, the better your reception. **For optimal functioning, ensure that you have three LEDs lit.**
- The presence of **keypad beeps indicates** that the central unit is correctly connected (**D+/D- bus wired**).
- The presence of **back lighting** indicates that **the keypad is correctly powered.**
- **DO NOT FORGET TO NOTE THE 17-0102-EN CONTRACT NO. AND THE RELATED ENTRANCE.**
 You will need this to set up your equipment at www.intratone.com



WIRING AND SETTING A DOOR CONNECTED TO A RELAY BOARD

MAGNET LOCK	ELECTRIC LOCK	SWITCH AND SETTINGS																					
		<table border="1" style="width: 100%; border-collapse: collapse;"> <thead> <tr> <th style="width: 15%;">Switch1</th> <th style="width: 15%;">Switch 2</th> <th style="width: 70%;">Door no.</th> </tr> </thead> <tbody> <tr> <td>OFF</td> <td>OFF</td> <td>1st</td> </tr> <tr> <td>ON</td> <td>OFF</td> <td>2nd</td> </tr> <tr> <td>OFF</td> <td>ON</td> <td>3rd</td> </tr> <tr> <td>ON</td> <td>ON</td> <td>4th</td> </tr> </tbody> </table> <table border="1" style="width: 100%; border-collapse: collapse;"> <thead> <tr> <th style="width: 60%;">Switch 3</th> <th style="width: 40%;">Button type</th> </tr> </thead> <tbody> <tr> <td>OFF</td> <td>Normally Open</td> </tr> <tr> <td>ON</td> <td>Normally Closed</td> </tr> </tbody> </table> <div style="display: flex; align-items: center;"> <div style="flex: 1;"> <p>Potentiometer setting range</p> </div> <div style="flex: 1;"> <p>Door release time</p> <p>Door delay</p> </div> </div>	Switch1	Switch 2	Door no.	OFF	OFF	1 st	ON	OFF	2 nd	OFF	ON	3 rd	ON	ON	4 th	Switch 3	Button type	OFF	Normally Open	ON	Normally Closed
Switch1	Switch 2	Door no.																					
OFF	OFF	1 st																					
ON	OFF	2 nd																					
OFF	ON	3 rd																					
ON	ON	4 th																					
Switch 3	Button type																						
OFF	Normally Open																						
ON	Normally Closed																						
<p>The power supplied to the magnet lock must be less than 42 V AC or 60 V DC. If the power supply voltage exceeds these values, use an intermediate relay (of the correct capacity) to control the electric lock.</p>																							

IMPORTANT: The proper operation and long-life are dependent on the fitting of the varistors supplied with the central unit.

1. Varistors must be connected as close as possible to the electric lock or magnet.
2. Free access times should be avoided for doors fitted with electric locks!
3. The varistor supplied is 12 V.

IF YOU INSTALL SEVERAL POWER SUPPLIES, ENSURE THAT YOU CONNECT EACH EARTH (-) TOGETHER.

<u>The complete pack for managing an isolated door with</u>		
1 square proximity reader (04-0106-EN)	1 relay central unit (12-0110-EN)	1 module (17-0102-EN)